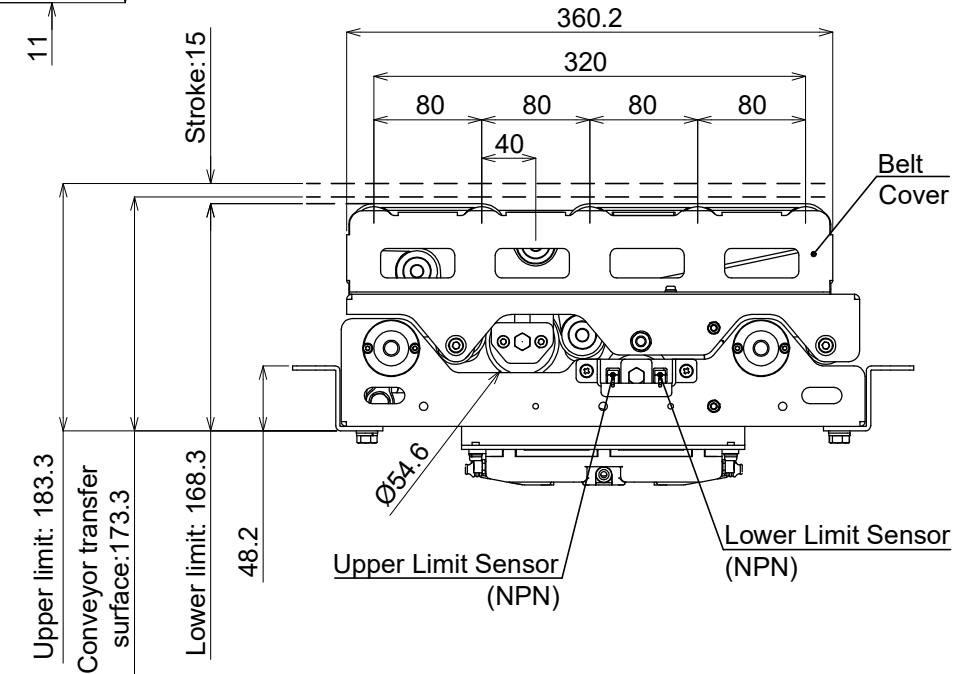
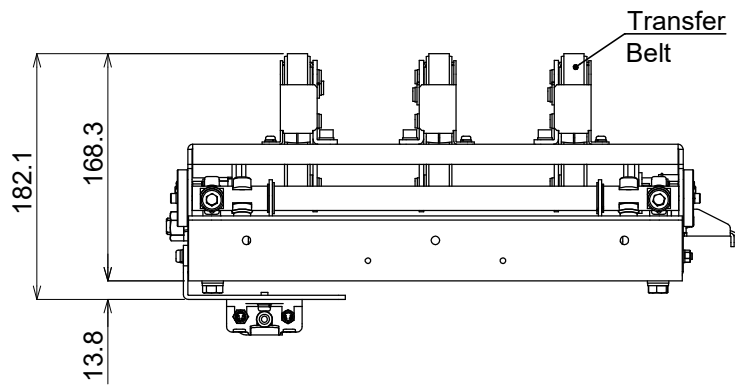
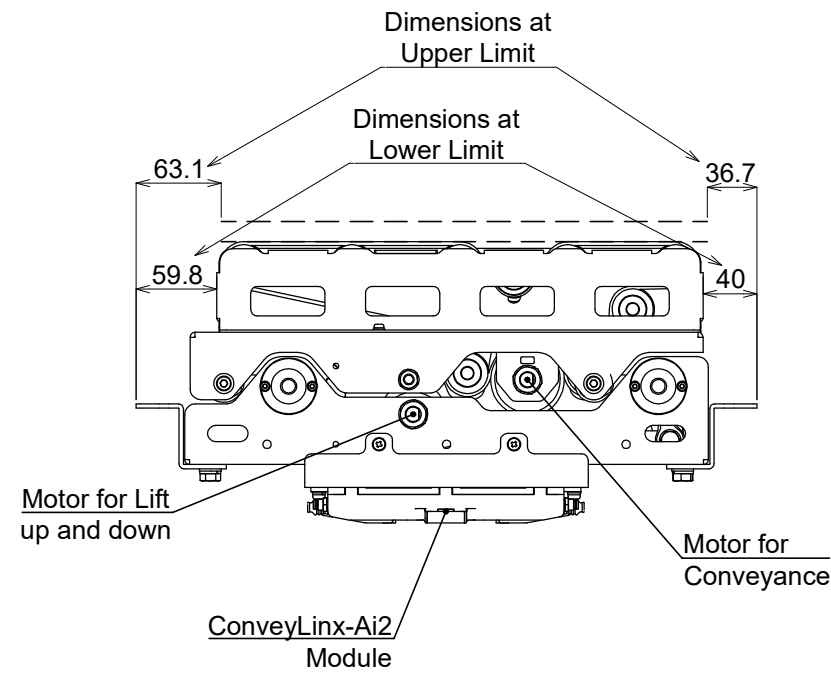
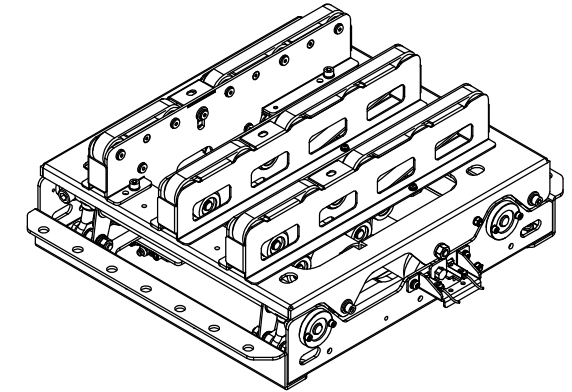
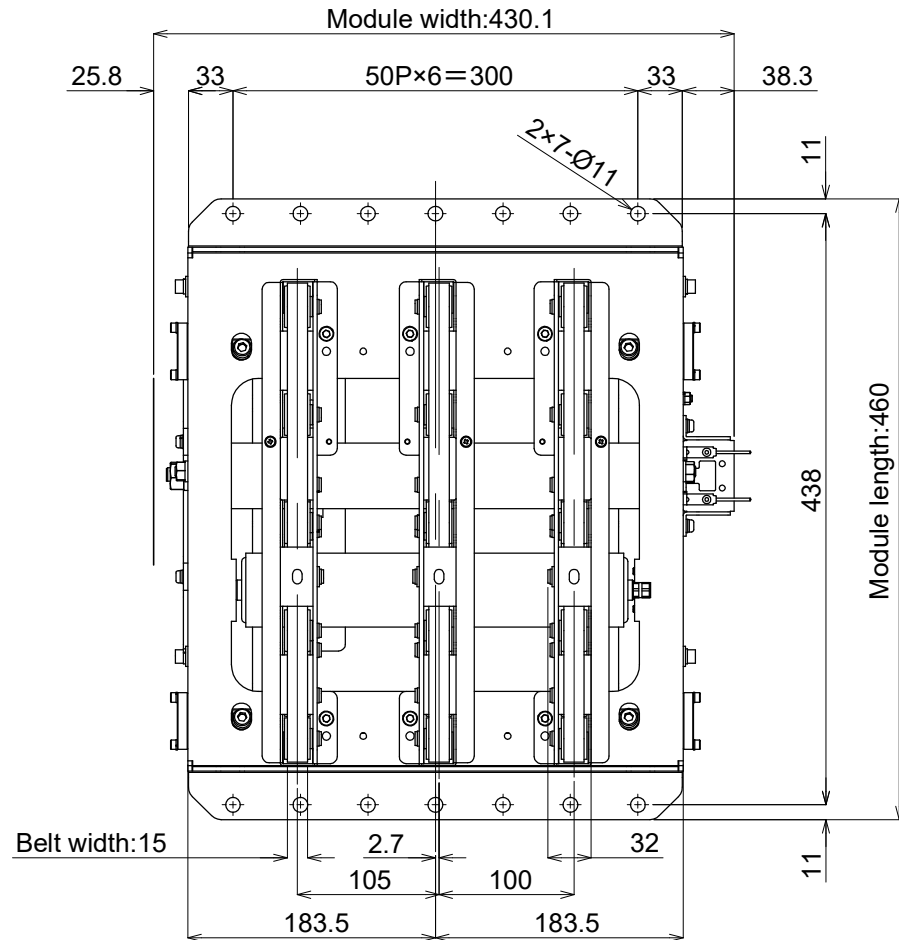
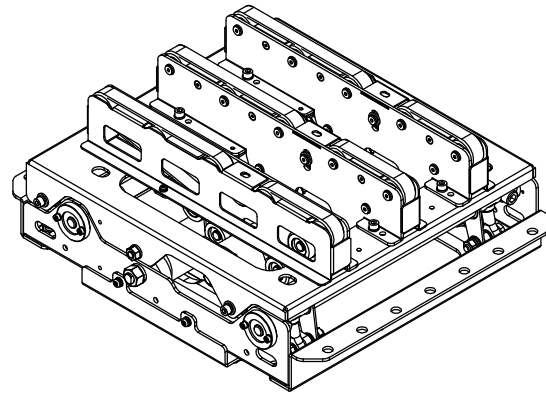


# Reference Drawing (BF=400[mm])



REV.	DATE	DESCRIPTION	DATE	DESIGNED BY	TITLE
A	29-MAY-2020	UPDATED TITLEBLOCK INFO	8-JUN-2016	TAKAISHI	PDU-90 TRANSFER - 400 MM BF CONV
				MIYAZAKI	PART NUMBER PDU90-W36L40-3-SS
				NONE	FOR: PULSEROLLER ASSEMBLIES
				1 OF 1	PULSEROLLER STANDARDS
					DWG. NO: PDU90-W36L40-3-SS
					REV: A

THE INFORMATION CONTAINED HEREIN IS CONFIDENTIAL, IS SUBMITTED IN CONFIDENCE, AND IS PROPRIETARY INFORMATION OF PULSEROLLER AND SHALL BE USED ONLY IN CONJUNCTION WITH AND PERFORMANCE OF THE CONTRACT OF WHICH THIS DRAWING FORMS A PART, AND SHALL NOT, WITHOUT PULSEROLLER PRIOR WRITTEN APPROVAL, BE REPRODUCED OR IN ANY OTHER WAY USED IN WHOLE OR IN PART BY OTHERS.